



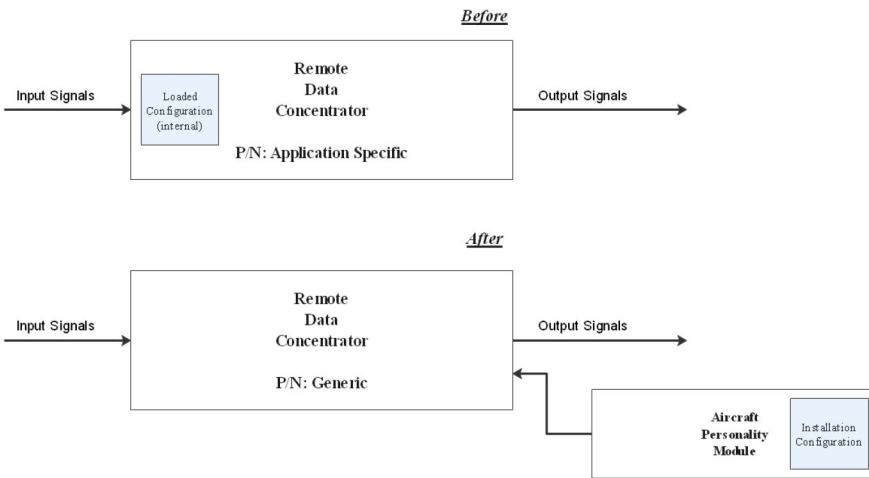
# AIRCRAFT PERSONALITY MODULE PRODUCT INFORMATION (400-900-XX)

## ONE STOP JETS

The Aircraft Personality Module (APM) series 400-900-XX is a low cost, hermetically sealed configuration module intended to simplify configuration management and related logistics of acquisition and signal conversion systems by decoupling installation and application specific configuration from the host line replaceable unit (LRU).

Traditional acquisition or signal conversion systems with a multitude of independent LRUs would require separate configuration loads and part numbers for each LRU – potentially adding significant inventory and spares burden.

The APM is intended to be permanently installed



within the aircraft wiring harness and to work in conjunction with any of the Adaptive Aerospace acquisition and signal conversion product lines (e.g. MAU or RDC) to allow a single common and generic host LRU to be configured automatically.

A single integral two wire twisted pair cable is used to both power the APM from the host LRU as well as for transmission of data.

Memory sizes range from 8 to 128 kilobytes of redundant and ECC protected configuration data.

APM units can be supplied pre-configured with a customer or vendor allocated part number, or alternatively field loaded during installation with low cost field programming kits.

Physical and Electrical Specifications	
Diameter	10mm (0.4")
Length	44mm (1.75") plus 280mm (11") attached wiring
Weight	Less than 50 grams (< 2 oz)
Mounting Type	Laced as part of aircraft harness
Construction	Stainless Steel AMS 5513, hermetically sealed (potted)
Finish	Passivated (QQ-P-35)
Power supply input	28 VDC nominal, 10 to 80 VDC, DO-160 CAT Z
Power supply consumption	Maximum 1 watt
Input Connector	Nil (pre-supplied with crimped 22D pin contacts at end of M27500ML2T08 cable)
Operating Temperature (operating)	-55 to +71 degrees Celcius
Operating Temperature (non-operating)	-55 to +85 degrees Celcius
Operating Altitude	Up to 55,000 ft
Environmental Qualification	RTCA DO-160G
Design Assurance	RTCA DO-254 and DO-178C (as applicable)
Production Approvals	FAA PMA (where PMA assist applies), otherwise Certificate of Conformance